

MS01 Shelf

Parts

The MS01 Shelf kit contains 3 shelf pieces and 4 leg pieces.

Before assembly, make sure you have all the components on hand.



3 Shelves



4 Legs

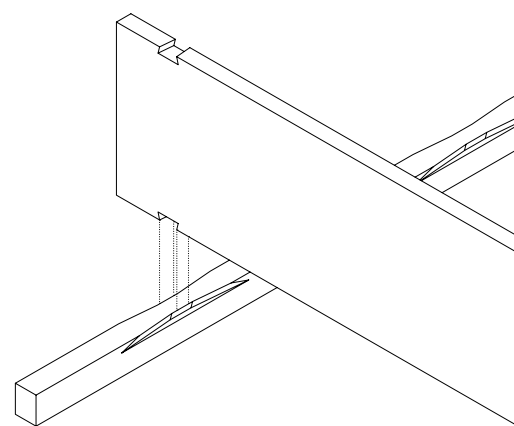
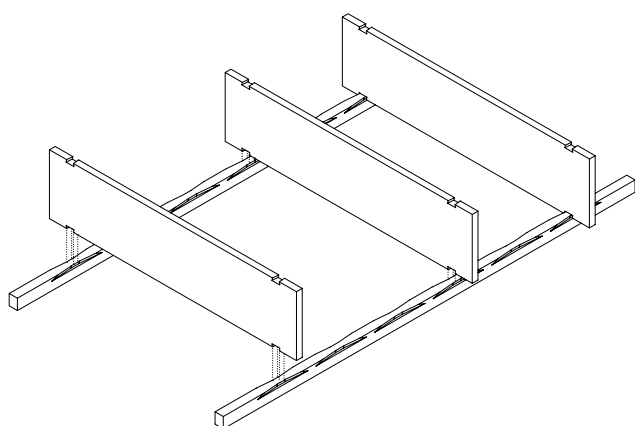
Assembly

Step 1

Lay down two legs with the grooves facing up. These pieces should be positioned parallel.

Lower each shelf so that the notches align with the narrowest part of the leg grooves.

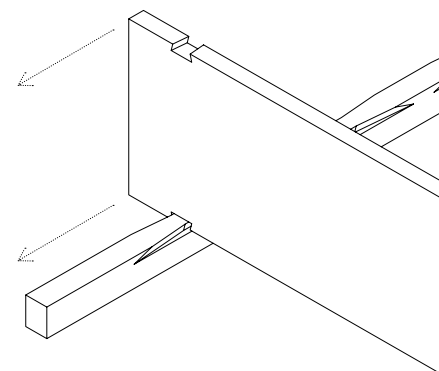
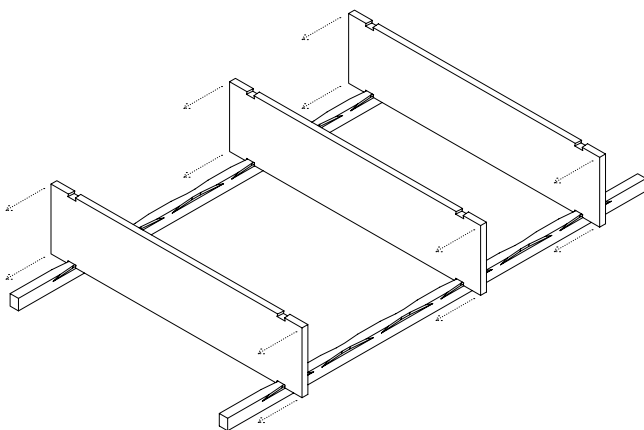
Make sure the wider part of the notches fit the wider part of the groove.



Step 2

Slide the notch of the shelf down the groove of the leg.

Make sure the two pieces are wedged together tightly.

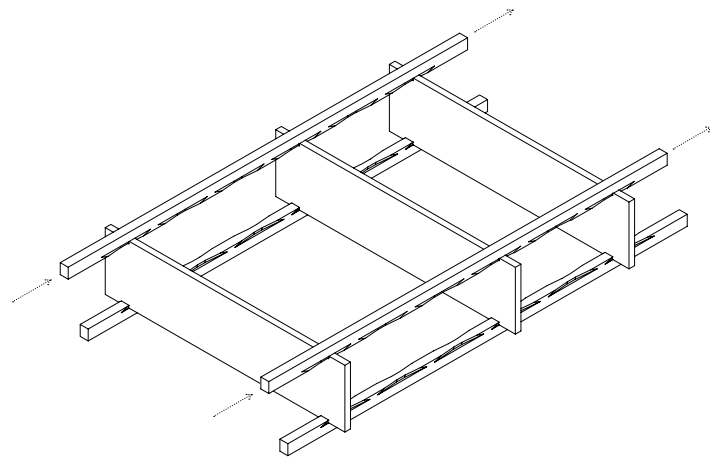
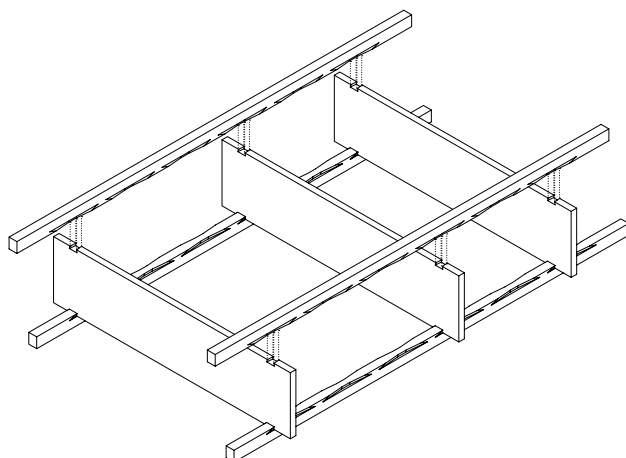


Step 3

Take the remaining two legs and place them grooves down on the shelf notches.

Make sure the same grooves are being used, mirroring step 1.

Slide the legs so they wedge together tightly. Make sure the ends of the legs are all aligned.

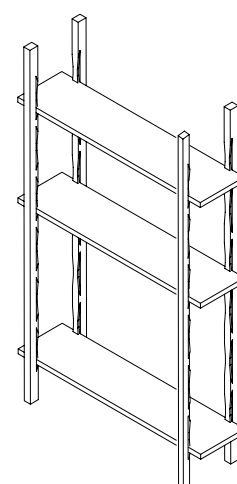
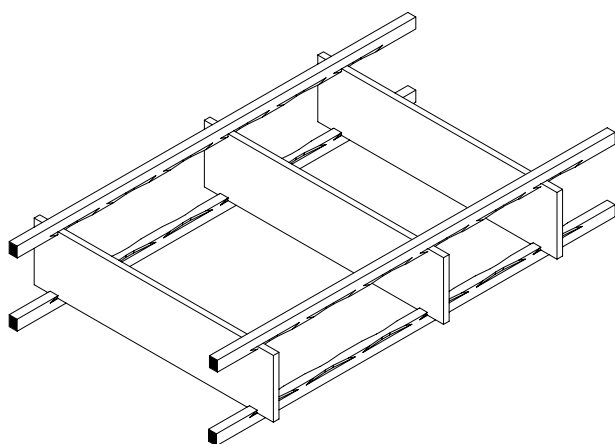


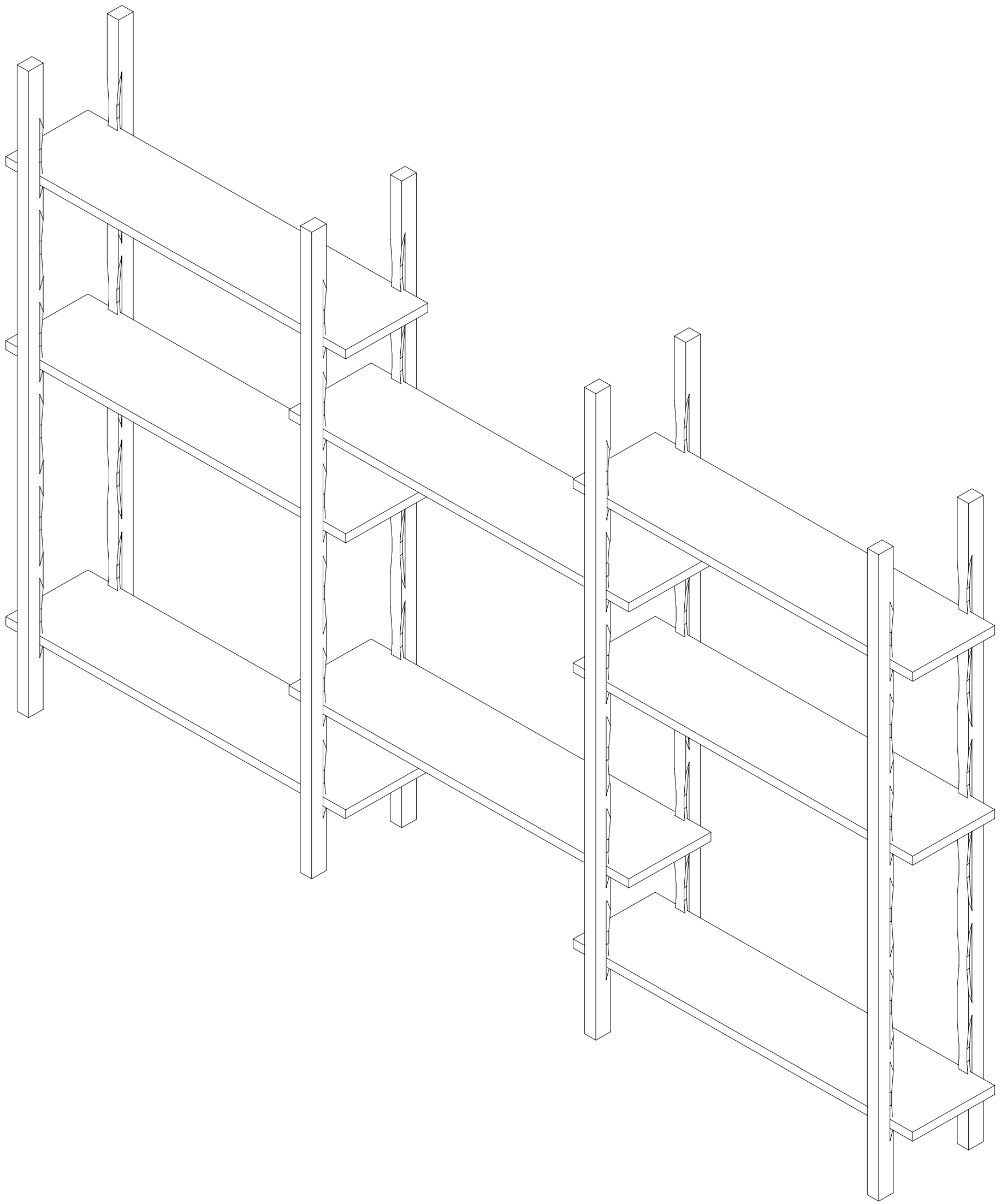
Step 4

The shelving unit is now fully assembled.

Lift the shelving unit on to the base of the legs. Make sure it rests on the correct ends of the legs as pictured.

The MS01 shelving unit can also be extended with additional leg and shelf pieces (see overleaf).





MS01 Shelf

Simple in design yet ingenious in its function, the MS01 shelf is a modular storage solution that optimizes versatility and user customization. With extensions available, a single unit can expand to accommodate multiple situations.

Designed with modularity and versatility in mind, the MS01 is adapts to the user's requirements.

Nico Studio

www.nicostudio.co
hello@nicostudio.co

10 Kahika Road,
Birkdale, Auckland,
New Zealand 0626

8am — 4pm
Monday — Friday
Or by appointment

NICO